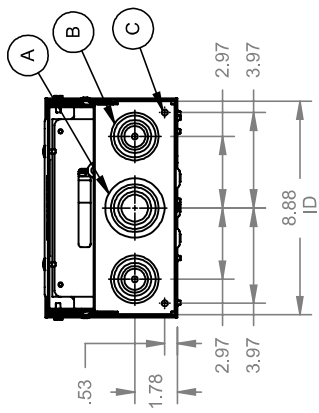
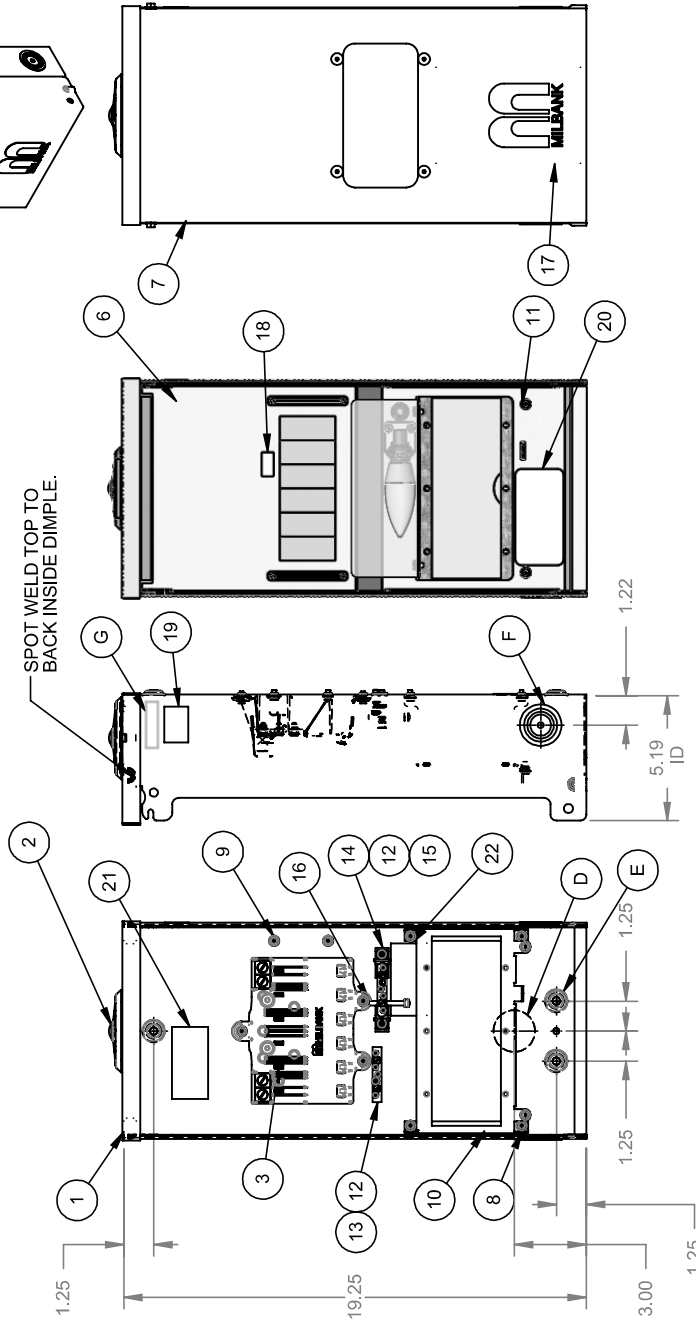


ITEM	QTY.	DESCRIPTION
A	1	.75, 1, 1.25, 1.5, 2 CONC K.O.
B	2	5.75, 1, 1.25, 1.5 CONC K.O.
C	2	.25 SOLID K.O.
D	1	1.25 SOLID K.O.
E	4	U/L MOUNTING EMBOSS
F	2	.5, .75, 1, 1.25 CONC. K.O.
G	1	STAMP CATALOG NUMBER

ITEM	QTY.	PART NUMBER	DESCRIPTION
1	1	(SEE CHART)	SHELL WELDMENT
2	1	(SEE CHART)	UNIT HUB
3	1	1002834	6 POLE C/B SPADE ASSEMBLY
4	S/C	1179565	PHOTOCELL & TERM. ASSY
5	S/C	1110869	SNAP-PLUG TERMINAL (M)
6	1	1144114	ASSY D/F W/LED LIGHT
7	1	1050774	FRONT ASSY
8	4	1001290	SCREW, 10-32 X 5/16
9	2	1047096	SCREW, 10-32 x 1/4
10	1	1002817	RECEPTACLE BRIDGE, 3 POS
11	5	1000062	SCREW 10-32 X 3/8 T/F
12	2	1002769	CONNECTOR 6-POS. STRIP
13	1	1002772	SCREW 10-32 x 7/8
14	2	1002682	NEUTRAL SUPPORT
15	2	1107779	SCREW 10-32 x 5/8
16	1	1002778	SCREW 10-32 x 1-1/2
17	1	1047324	LABEL, P.I. U5000 SERIES
18	1	1002684	LABEL, SERVICE DISCONNECTS
19	1	1025144	U.L. LABEL
20	1	1002783	LABEL, RECEPTACLE
21	S/C	1000044	LABEL, HUB OPENING
22	1	1123734	INSTRUCTION LABEL
23	1	1025064	CARTON (NOT SHOWN)
24	2	1115642	STYROFOAM SHIPPING BLOCKS



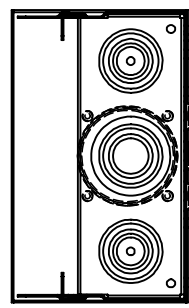
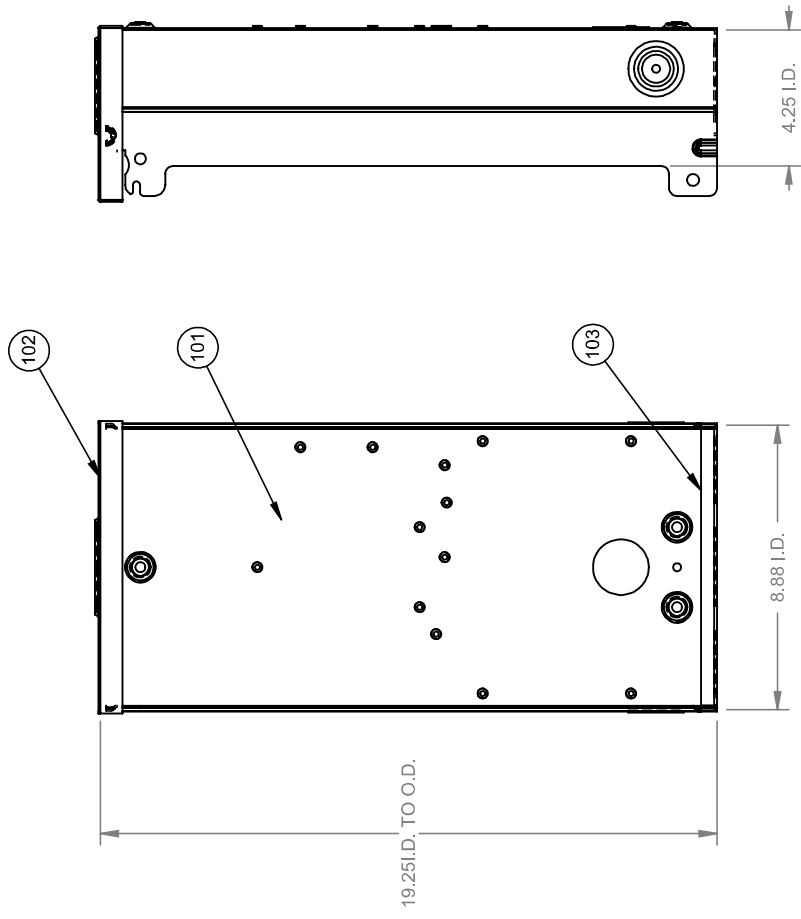
PRODUCTION NOTES:
 1.) UNIT IS NOT COMPLETE UNTIL ALL THREE RECEPTACLE OPENINGS ARE FILLED (SEE DWG. 5000-31)
 2.) ADD TWO STYROFOAM BLOCKS BETWEEN DEAD FRONT AND FRONT TO PREVENT FLEX FROM THE DEAD FRONT DURING SHIPPING.

SALES NOTES:
 1.) FOR FIELD INSTALLED LED LIGHT KIT ORDER (-LD) #K6212 OR FOR FIELD INSTALLED FLUORESCENT LIGHT KIT (-L) ORDER CATALOG #K6411.
 2.) FOR FIELD INSTALLED PHOTO ELECTRIC LIGHT CONTROL ORDER KIT #K5413.

SEE SHEET 2 FOR SHELL WELDMENT DETAIL AND CHARTS.
SEE SHEET 3 FOR WIRING DIAGRAM OF -LD AND -LDP SUFFIXES.

Material: 16 GA. STEEL	
Shear/Die No.:	MILBANK LIGHT GRAY
Finish:	
Part Wt.:	LBS. EA.
Paint Qty.:	GRAMS
Tolerances: Unless Specified Otherwise X.X ±.1 X.XX ±.03 X.XXX ±.015 X* ±2*	
Scale:	NTS
Drawn By:	JH
Checked By:	
Approved By:	
Third Angle	
Catalog No.:	U5000-(-)
Customer:	
Title: UNMETERED POWER OUTLET W/ LED, 125A MAX 1P3W OH/UG	
KANSAS CITY, MO USA	
MILBANK ENERGY AT WORK	

REV	DATE	NEW	DESCRIPTION	ECO No.	BY
**	3/5/15	NEW		030843	JWH
*1	5/12/15		EDIT SALES NOTE AND ADD MATERIAL	032014	JWH
A	9/21/15		REM 1175806 & 1090021, -LDP SUFFIX: 1179565 WAS 1047312, ADD 1110869	032503	JWH



ITEM	QTY.	PART NUMBER	DESCRIPTION
101	1	1002709	BACK
102	1	(SEE CHART)	TOP
103	1	1048722	BOTTOM

SUFFIX	TOP	WELDMENT	LABEL #1000044 QTY.
-()	1002705	1049141	1
-O(-)	1048533	1154924	0

CATALOG NO. SUFFIX	
SUFFIX	HUB
-O	BLANK TOP
-WL	1"
-YL	1.25"
-ZL	1.5"
-DL	2"
-EL	2.5"
-XL	CLOSING PLATE #1028222
-XLS	SPECIAL CLOSING PLATE #AP8023
-RL	HUB OPENING #NONE

SUFFIX	1179565 QTY.	1110869 QTY.	NOTES
-LD	0	0	SEE -LD WIRING DIAGRAM
-LDP	1	1	SEE -LDP WIRING DIAGRAM

MILBANK
ENERGY AT WORK
KANSAS CITY, MO USA

SHELL WELDMENT

Title: _____

Catalog No.: _____

Customer: _____

Drawing No.: **5000-81**

Date: 03/05/15 Sheet: 2 of 3

Material: _____

Shear/Die No.: _____

Finish: _____

Part Wt.: _____ LBS. EA.

Paint Qty.: _____ GRAMS

Tolerances: _____

Unless Specified Otherwise:

X.X ±.03

X.XXX ±.015

X* ±.2*

Scale: NTS

Drawn By: JH

Checked By: _____

Approved By: _____

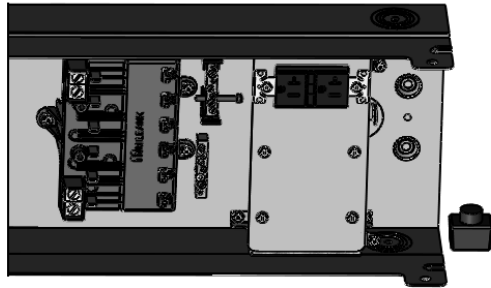
Third Angle

REV	DATE	BY	ECO No.	DESCRIPTION
**	3/5/15	NEW	030843	JWH
*1	5/12/15	EDIT SALES NOTE AND ADD MATERIAL	032014	JWH
A	9/21/15	REM 1175806 & 1090021, -LDP SUFFIX: 1179565 WAS 1047312, ADD 1110869	032503	JWH

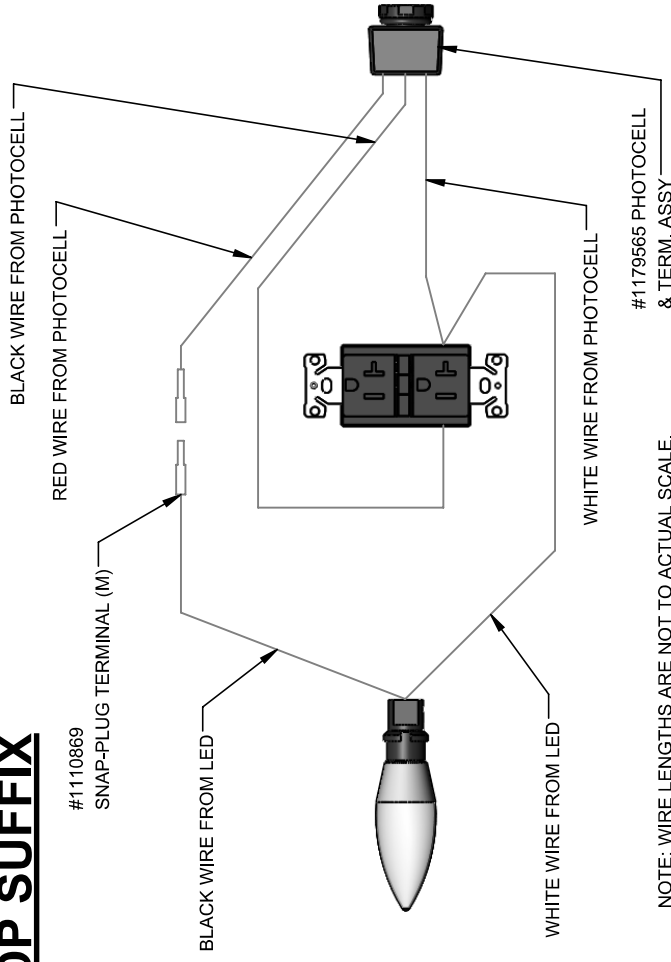
-LDP SUFFIX

PHOTOCELL INSTALLATION

- 1.) REMOVE Ø1/2" KNOCK-OUT IN SIDE OF UNIT
- 2.) PLACE PHOTOCELL IN THE KNOCKOUT
- 3.) TIGHTEN DOWN WITH NUT AND GASKET ON OUTSIDE OF THE UNIT.



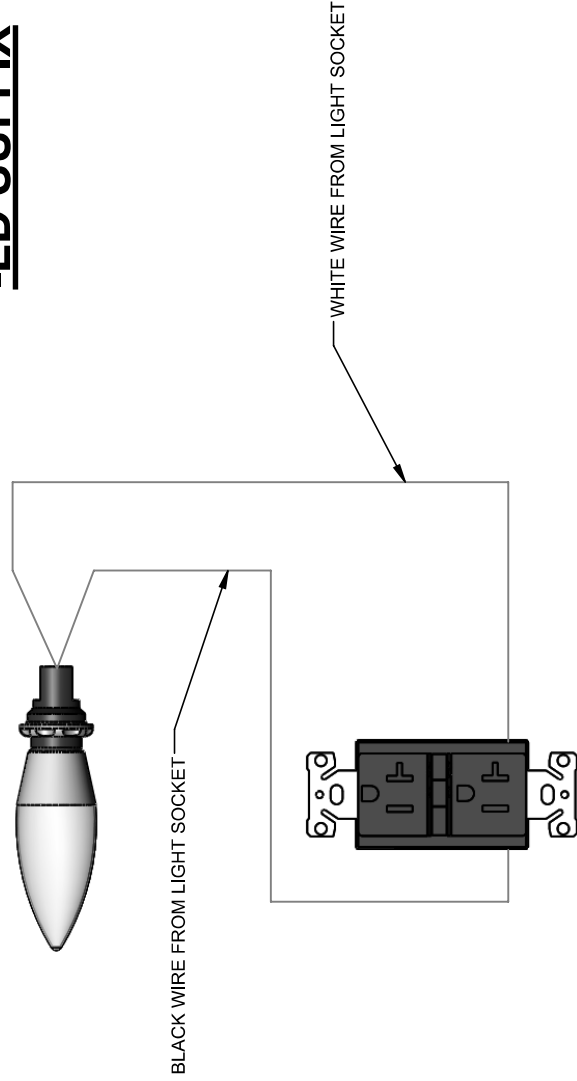
#1110869
SNAP-PLUG TERMINAL (M)



NOTE: WIRE LENGTHS ARE NOT TO ACTUAL SCALE.

#1179565 PHOTOCELL
& TERM. ASSY

-LD SUFFIX



REV	DATE	DESCRIPTION	ECO No.	BY
**	3/5/15	NEW	030843	JWH
*1	5/12/15	EDIT SALES NOTE AND ADD MATERIAL	032014	JWH
A	9/21/15	REM 1175806 & 1090021, -LDP SUFFIX: 1179565 WAS 1047312, ADD 1110869	032503	JWH

Material: 16 GA. STEEL		MILBANK ENERGY AT WORK KANSAS CITY, MO USA	
Shear/Die No.:	Finish: MILBANK LIGHT GRAY	Title: UNMETERED POWER OUTLET W/ LED, 125A MAX 1P3W OH/UG	
Part Wt.:	LBS. EA.	Customer:	U5000-(-)
Paint Qty.:	GRAMS	Checked By:	JH
Tolerances: Unless Specified Otherwise ±.1 X.XX ±.03 X.XXX ±.015 X* ±2*		Third Angle	Approved By:
Scale:	NTS	Drawn By:	JH
Drawn By:	JH	Date:	03/05/15
Customer:	U5000-(-)	Drawing No.:	5000-81
Sheet:	3 of 3		